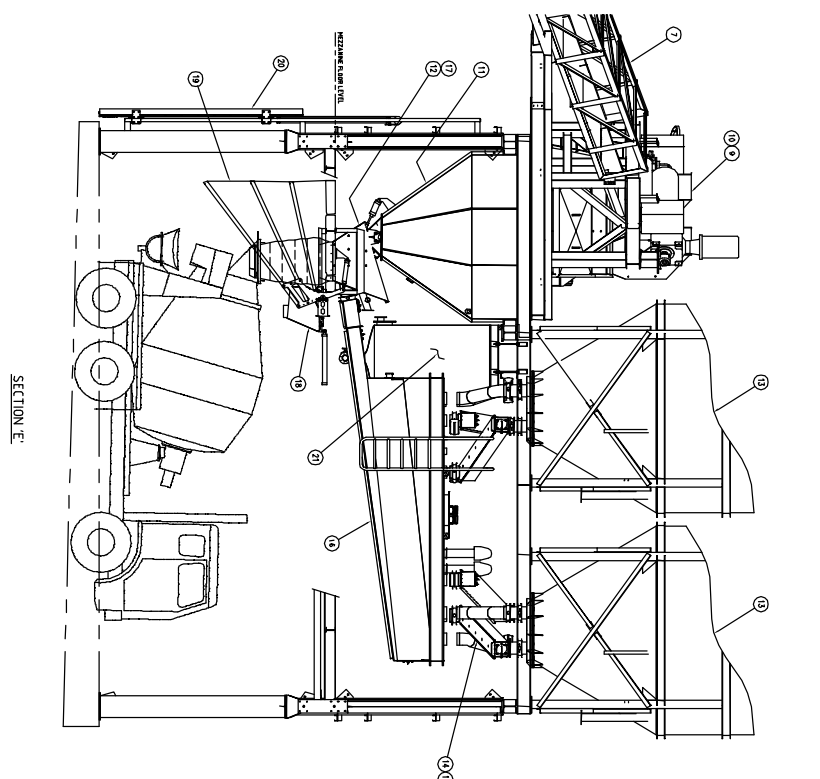
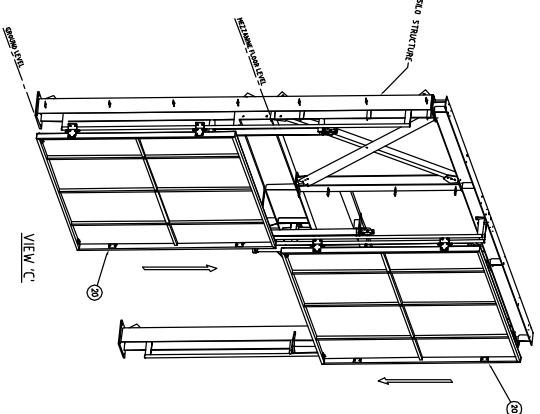
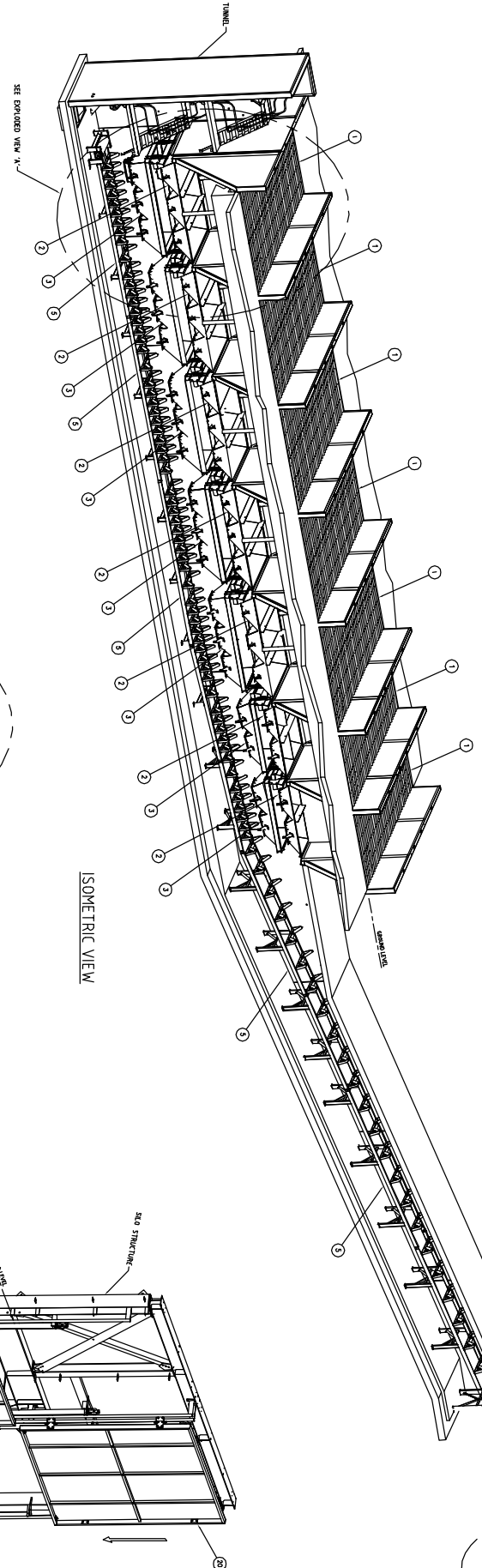
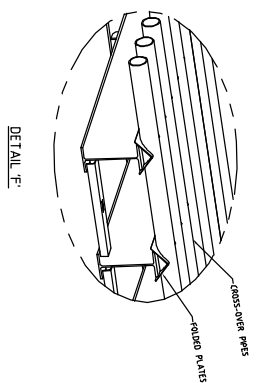
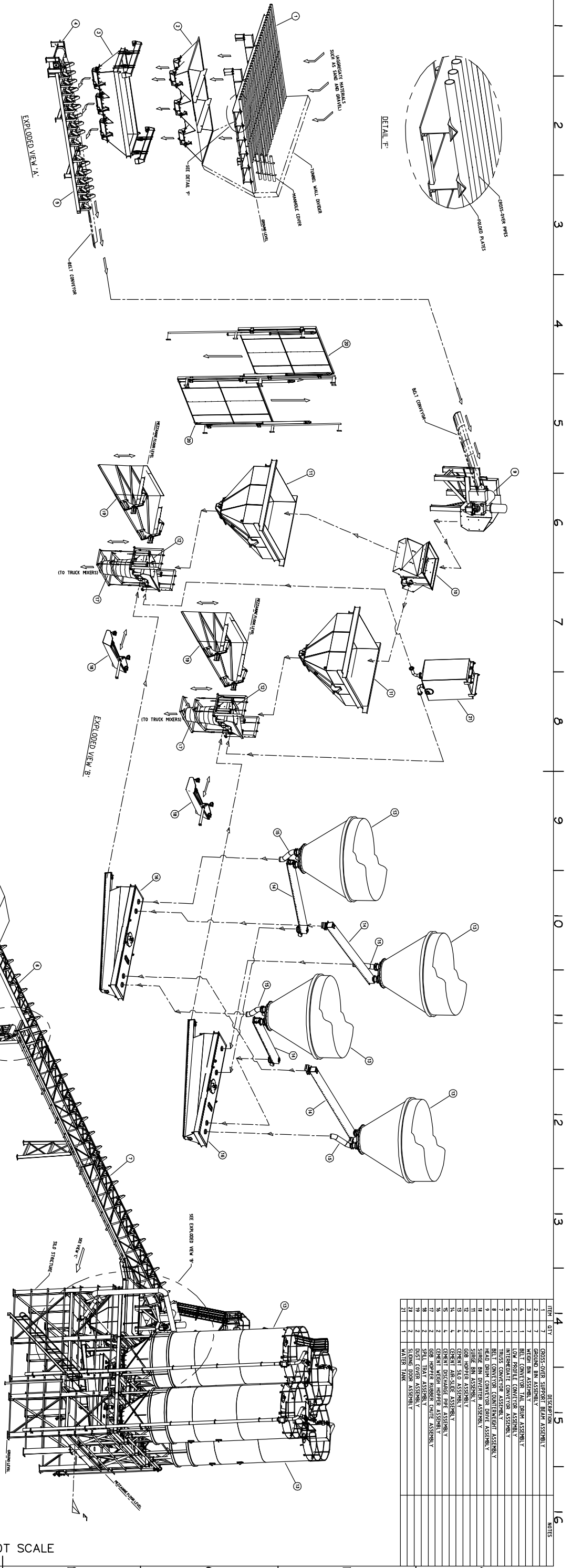


ITEM	QTY	DESCRIPTION	NOTES
1	1	CROSS-COVER SUPPORT BEAM ASSEMBLY	
2	1	WHEEL END ASSEMBLY	
3	1	BELT CONVERTER TAIL DRUM ASSEMBLY	
4	1	LOW PROFILE CONVERTER ASSEMBLY	
5	1	WIDESPREAD CONVERTER ASSEMBLY	
6	1	BELT CONVERTER COMPONENT ASSEMBLY	
7	1	BELT CONVERTER COMPONENT ASSEMBLY	
8	1	HEAD DOWN CONVERTER DRIVE ASSEMBLY	
9	1	SHOULDER DRIVE ASSEMBLY	
10	1	SHOULDER DRIVE ASSEMBLY	
11	1	SHOULDER DRIVE ASSEMBLY	
12	1	SHOULDER DRIVE ASSEMBLY	
13	1	SHOULDER DRIVE ASSEMBLY	
14	1	SHOULDER DRIVE ASSEMBLY	
15	1	SHOULDER DRIVE ASSEMBLY	
16	1	SHOULDER DRIVE ASSEMBLY	
17	1	SHOULDER DRIVE ASSEMBLY	
18	1	SHOULDER DRIVE ASSEMBLY	
19	1	SHOULDER DRIVE ASSEMBLY	
20	1	SHOULDER DRIVE ASSEMBLY	
21	1	SHOULDER DRIVE ASSEMBLY	
22	1	SHOULDER DRIVE ASSEMBLY	
23	1	SHOULDER DRIVE ASSEMBLY	
24	1	SHOULDER DRIVE ASSEMBLY	
25	1	SHOULDER DRIVE ASSEMBLY	



DO NOT SCALE

© 2010 Concrete Equipment Australia (Trading) P/L
 THIS DESIGN AND DRAWING IS COPYRIGHT. NO PART OF THIS
 DRAWING MAY BE REPRODUCED, STORED IN A RETRIEVAL
 SYSTEM OR TRANSMITTED IN ANY FORM WITHOUT THE
 WRITTEN PERMISSION OF CEI CONSOLIDATED INDUSTRIES.

PRELIMINARY
 Drawing contains preliminary
 information only.
 Not to be used for manufacturing
 or construction purposes.

PATENT
 Aust. 2004235599;
 US. 7351025; 7427182

REGISTERED
 Building Practitioner

PROJECT	DATE	BY	CHKD	SCALE	NO. OF SHEETS	TOTAL SHEETS
CEI CONCRETE BATCH PLANT	04/08/2004	N/A	N/A	1:50/1:25	1	1
DESIGNED BY	DRAWN BY	CHECKED BY	APPROVED BY	DATE	SCALE	
PROJECT TITLE: CEI CONCRETE BATCH PLANT PROJECT NO: CEI/0020 DRAWING NO: CEI/0020						